

Product datasheet

Specifications



power supply module X80 - 100..240 V AC - 20 W

BMXCPS2000

Main

Range of product	Modicon X80
Product or component type	Power supply module
Backplane compatibility	Not compatible with BMEXBP..02
Primary voltage	100...240 V
Supply circuit type	AC
Secondary power	10.8 W 24 V DC sensor power supply 16.8 W 24 V DC I/O module power supply and processor 8.3 W 3.3 V DC I/O module logic power supply

Complementary

Primary voltage limit	85...264 V
Network frequency	50/60 Hz
Network frequency limits	47...63 Hz
Apparent power	0.07 kVA
Input current	0.31 A 240 V 0.61 A 115 V
Inrush current	30 A 120 V 60 A 240 V
I ² t on activation	12 A ² .s 240 V
It on activation	0.06 A.s 240 V 0.03 A.s 120 V
MTBF reliability	4638000 H
Protection type	Internal fuse not accessible for primary circuit Overload protection for secondary circuit Overvoltage protection for secondary circuit Short-circuit protection for secondary circuit
Current at secondary voltage	0.45 A 24 V DC sensor power supply 0.7 A 24 V DC I/O module power supply and processor 2.5 A 3.3 V DC I/O module logic power supply
Maximum power dissipation in W	8.5 W
Status LED	1 LED (green) rack voltage OK 1 LED (green) sensor voltage
Control type	RESET push-button cold restart
Electrical connection	1 connector 2 pin(s) alarm relay 1 connector 5 pin(s) line supply, protective earth, 24 V DC input sensor
Insulation resistance	>= 100 MOhm primary/ground

>= 100 MOhm primary/secondary

Product weight 0.3 kg

Environment

Immunity to microbreaks 1 ms

Dielectric strength 1500 V primary/secondary I/O module logic power supply
1500 V primary/secondary I/O module power supply and processor
2300 V primary/secondary sensor power supply
1500 V primary/ground
500 V 24 V sensor output/ground

Vibration resistance 3 gn

Shock resistance 30 gn

IP degree of protection IP20

Directives 2014/35/EU - low voltage directive
2014/30/EU - electromagnetic compatibility

Ambient air temperature for storage -40...85 °C

Ambient air temperature for operation 0...60 °C

Relative humidity 5...95 % at 55 °C without condensation

Protective treatment TC

Operating altitude 0...2000 m
2000...5000 m with derating factor

Packing Units

Unit Type of Package 1 PCE

Number of Units in Package 1 1

Package 1 Height 13.386 cm

Package 1 Width 15.245 cm

Package 1 Length 15.424 cm

Package 1 Weight 438.8 g

Unit Type of Package 2 S04

Number of Units in Package 2 12

Package 2 Height 30 cm

Package 2 Width 40 cm

Package 2 Length 60 cm

Package 2 Weight 6.5 kg

Unit Type of Package 3 P06

Number of Units in Package 3 48

Package 3 Height 75 cm

Package 3 Width 60 cm

Package 3 Length 80 cm

Package 3 Weight 38 kg

Offer Sustainability

Sustainable offer status Green Premium product

REACH Regulation [REACH Declaration](#)

EU RoHS Directive Pro-active compliance (Product out of EU RoHS legal scope)
[EU RoHS Declaration](#)

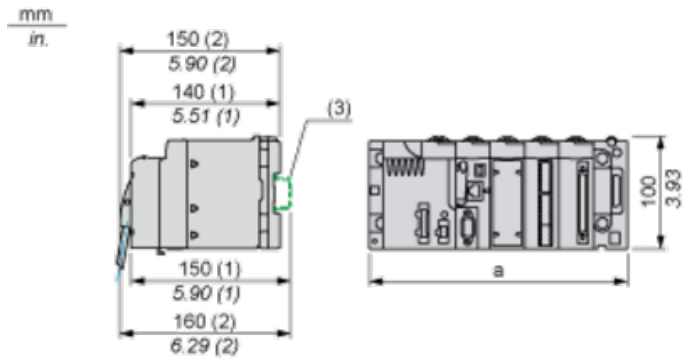
Mercury free	Yes
China RoHS Regulation	China RoHS declaration
RoHS exemption information	Yes
Circularity Profile	End of Life Information
WEEE	The product must be disposed on European Union markets following specific waste collection and never end up in rubbish bins

Contractual warranty

Warranty	18 months
-----------------	-----------

Modules Mounted on Racks

Dimensions



(1) With removable terminal block (cage, screw or spring).

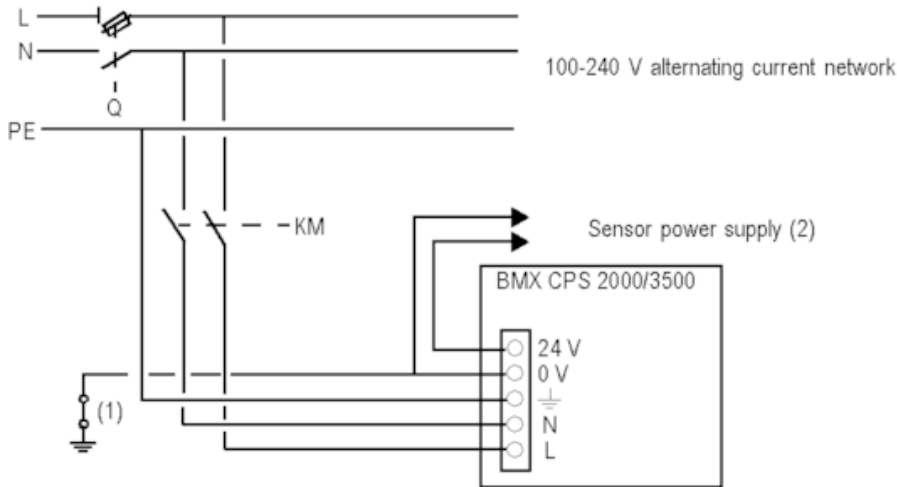
(2) With FCN connector.

(3) On AM1 ED rail: 35 mm wide, 15 mm deep. Only possible with BMXXBP0400/0400H/0600/0600H/0800/0800H rack.

Rack references	a in mm	a in in.
BMXXBP0400 and BMXXBP0400H	242.4	09.54
BMXXBP0600 and BMXXBP0600H	307.6	12.11
BMXXBP0800 and BMXXBP0800H	372.8	14.68
BMXXBP1200 and BMXXBP1200H	503.2	19.81

Connection of Alternating Current Power Supply Modules

Connection of a PLC Station Constituted of a Single Rack



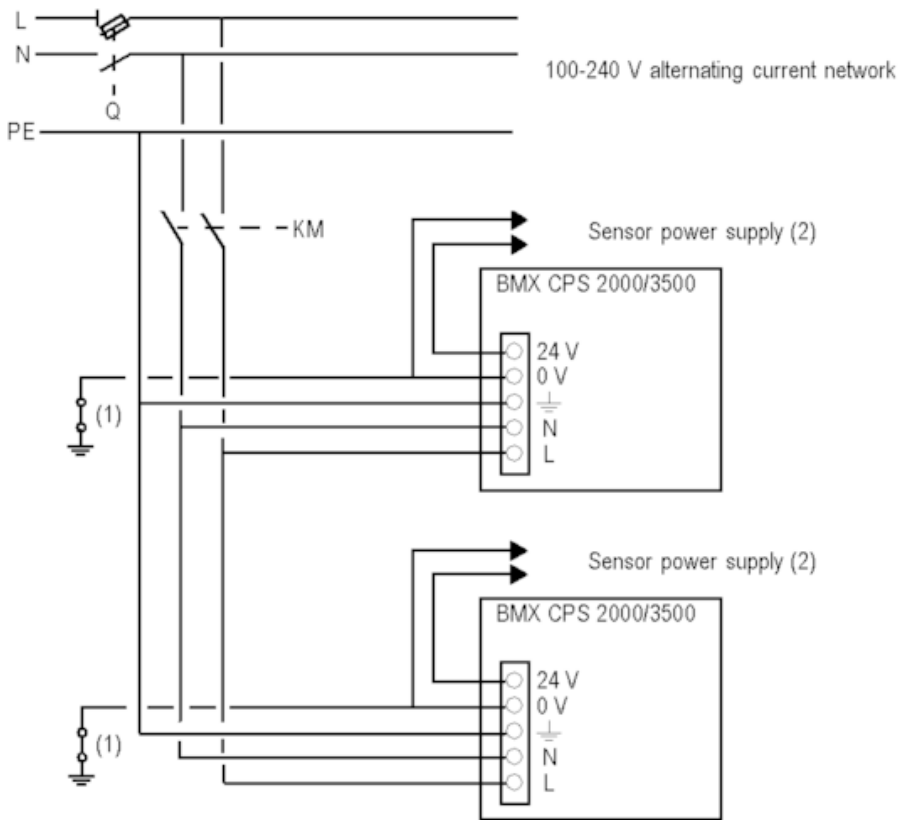
Q General isolator

KM Line contactor or circuit breaker

(1) Insulation connector bar for locating grounding errors

(2) Available current of 0.45 A for the BMXCPS2000 module or 0.9 A for the BMXCPS3500 module

Connection of a PLC Station Constituted of Several Racks



Q General isolator

KM Line contactor or circuit breaker

(1) Insulation connector bar for locating grounding errors

(2) Available current of 0.45 A for the BMXCPS2000 module or 0.9 A for the BMXCPS3500 module

Recommended replacement(s)